

THIS DRAWING IS UNPUBLISHED. RELEASED FOR PUBLICATION 20
 © COPYRIGHT 20 BY TYCO ELECTRONICS CORPORATION. ALL RIGHTS RESERVED.

LOC	DIST	REVISIONS					
		P	LTR	DESCRIPTION	DATE	DWN	APVD
HM	00	F		REDWN, REV; EC 0B40-0152-02	11-Jul-06	GG	GB
		G		ECO-05-008931 AND REDRAWN	27SEP2005	JM	GB
		H		ECO-06-012850	11JUL2006	JM	GB

1. DIMENSIONS ARE NOMINAL UNLESS OTHERWISE SPECIFIED.

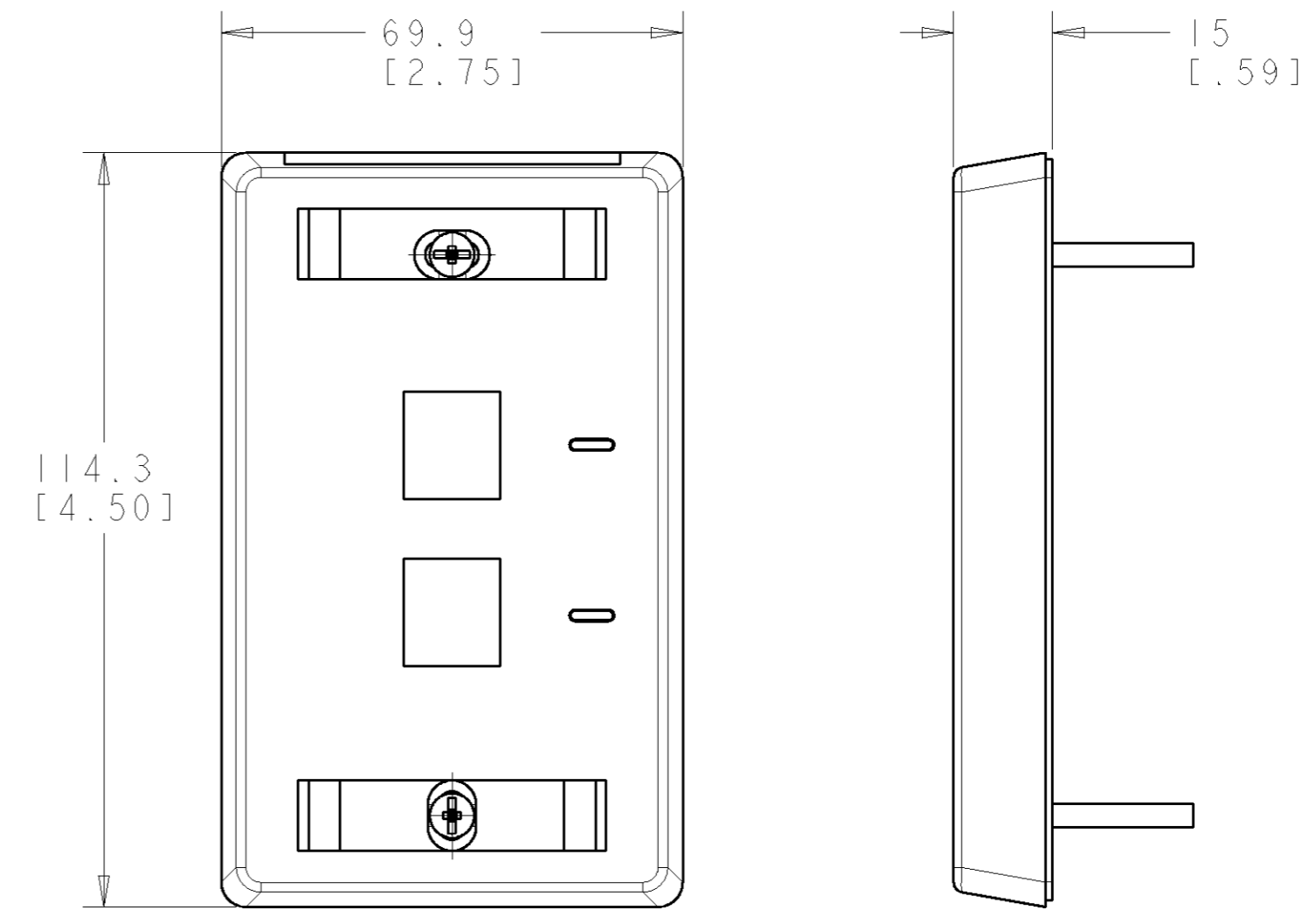
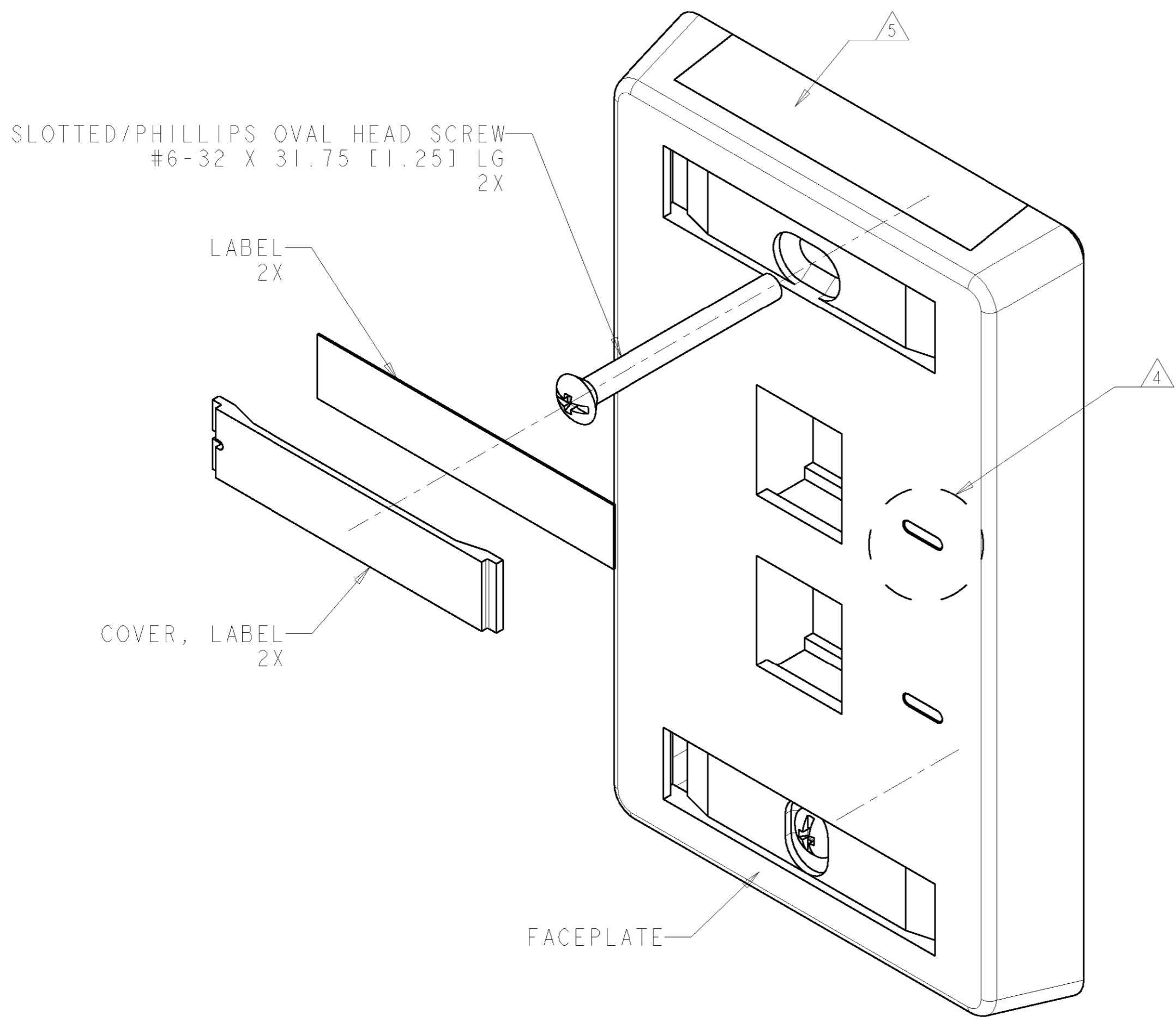
2. MATERIAL:
 FACEPLATE - ABS MOLDING COMPOUND. SEE TABLE FOR COLORS.
 SCREWS - ZINC PLATED CARBON STEEL.

LABEL COVER - POLYCARBONATE MOLDING COMPOUND, CLEAR.
 LABEL - WHITE INDEX PAPER.

3. THIS KIT SHIPPED NOT ASSEMBLED.

4. MOLD OVER ICON FEATURE, 2X.

5. NON-TEXTURED AREA FOR LABEL, UP TO 9.65 [.38] HIGH.



SCALE 1:1

ELECTRIC IVORY	1-557505-1
NEMA GRAY	557505-4
WHITE	557505-3
BLACK	557505-2
LIGHT ALMOND	557505-1
COLOR	PART NUMBER

THIS DRAWING IS A CONTROLLED DOCUMENT FOR TYCO ELECTRONICS CORPORATION. IT IS SUBJECT TO CHANGE AND THE CONTROLLING ENGINEERING ORGANIZATION SHOULD BE CONTACTED FOR THE LATEST REVISION.		DWN G. GARRETT 11-Jul-06	Tyco Electronics Harrisburg, PA 17105-3608	
DIMENSIONS: MM [INCHES]		CHK G. BOWMAN 11-Jul-06		
TOLERANCES UNLESS OTHERWISE SPECIFIED:		APVD G. BOWMAN 11-Jul-06	NAME FACEPLATE KIT, 2 PORT, 110CONNECT	
0 PLC ±	1	PRODUCT SPEC	-	
1 PLC ±	2	APPLICATION SPEC	-	
2 PLC ±	3	408-3282	SIZE	A2
3 PLC ±	4	WEIGHT	CAGE CODE	00779
4 PLC ±	ANGLES	CUSTOMER DRAWING	DRAWING NO	557505
FINISH	2	SCALE	2:1	SHEET 1 OF 1
		REV	H	